

TPC-1260T/TE

**Crusoe™ 5400 Touch Panel
Computer with 12.1" SVGA
TFT LCD Display**



Features

- 12.1" SVGA TFT LCD with high luminance
- Slim and compact design with Al-Mg housing
- Fanless cooling system
- NEMA4/IP65 compliant front panel
- HDD kits for environments with extraordinary vibration
- Automatic data flow control RS-485
- Supports Windows® 2000/CE .NET/XP
- Supports a PCI 104 expansion slot
- Supports 2.5" HDD (optional)

Introduction

With a high quality TFT LCD display, the TPC-1260T adopts the Transmeta™ Crusoe™ 5400 processor as its core. It is a low power consumption x86 compliant processor with 500 MHz operating rate. This system is therefore designed to be fanless though the kernel is powerful. In addition, spindle-free storage makes the TPC-1260T a durable and reliable platform. For those applications where spindle-free storage is not critical, an optional 2.5" slim type HDD can be used. It also provides a PC/104-Plus expansion slot for applications in harsh environments.

Specifications

- **Construction** Al-Mg and plastic molding
- **Display** 12.1" SVGA TFT LCD
- **CPU and Core Logic** Transmeta™ Crusoe™ 5400 (500 MHz)
- **BIOS** Award® 256 KB
- **VGA** SMI® 712 VGA controller
- **DRAM** 128 MB on board, among which 112 MB for users
- **Storage** CompactFlash® memory card or 2.5" HDD (freely bundled HDD kit for environments with extraordinary vibration)
- **I/O** 4 serial ports (one configurable to RS-422/485) and RS-485 is auto flow controlled, 1 parallel port, 1 Ethernet port (10/100Base-T), 1 USB port, 2 PS/2 ports
- **Expansion** One 32-bit PCI-104 expansion slot
- **Watchdog Timer** 1.6 seconds interval
- **Power Input** 24 V_{DC}, 0.8 A maximum
- **Dimensions (W x H x D)** 311 x 237 x 50 mm (12.24" x 9.33" x 1.97")
- **Gross Weight** 2.2 kg (4.85 lbs)

LCD Display

	TPC-1260T	TPC-1260TE
▪ Display Size (diagonal)	12.1"	12.1"
▪ Max. Colors	256K	256K
▪ Resolution	800 x 600	800 x 600
▪ Pixel Pitch (H x V)	0.31 x 0.31 mm	0.31 x 0.31 mm
▪ Viewing Angle	90°	90°
▪ Luminance	300 cd/m ²	100 cd/m ²
▪ Storage Temperature	-20~60° C (-4~ 140° F)	-20~60° C (-4~ 140° F)
▪ Operating Temperature	0~50° C (32 ~ 122° F)	0~50° C (32 ~ 122° F)
▪ Backlight	2 CCFL	1 CCFL
▪ Contrast Ratio	150	150

Touchscreen

- **Type** 4-wire, analog resistive
- **Resolution** Continuous
- **Light Transmission** Above 75%
- **Life** 1 million activation minimum at single point

Environmental Specifications

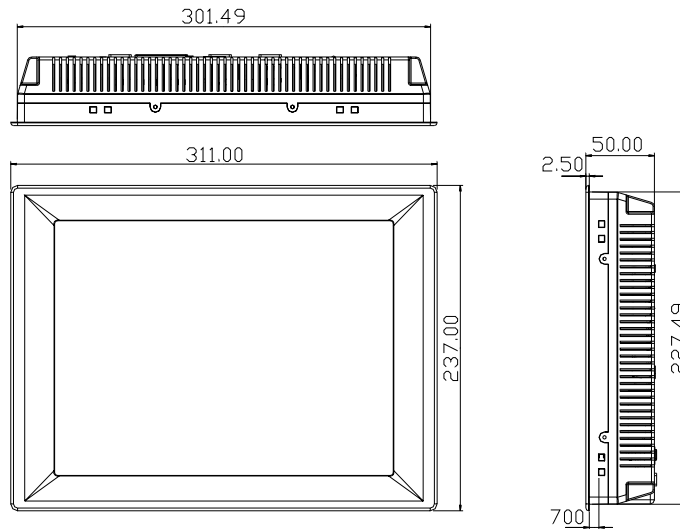
- **Operating Temperature** 0~50° C (32~122° F)
- **Relative Humidity** 10 ~95% @ 40° C, non-condensing
- **EMI** FCC class A certificated
- **CE certificated**
- **Front panel meets NEMA4/IP65**

Ordering Information

- **TPC-1260T** 12.1" TFT LCD display touch panel computer with Crusoe™ 5400 CPU, and 128 MB DRAM on board
- **TPC-1260TE** 12.1" commercial grade TFT LCD display touch panel computer with Crusoe™ 5400 CPU, and 128 MB DRAM on board
- **TPC-1260TE-X** TPC-1260TE without touchscreen
- **TPC-1260T-CE** TPC-1260T with Windows® CE 3.0 OS on 32 MB CompactFlash® memory card
- **PS-DC24-50** 50 watts 24 V_{DC} output, 110/220 V_{AC} 50/60 Hz input power adapter
- **TPC-1260 STAND** TPC-1260 desktop stand
- **TPC-1260 WALLMT** TPC-1260 wall mounting kit
- **TPC-EXP-1560** TPC-1560/1260 two-slot PCI expansion kit

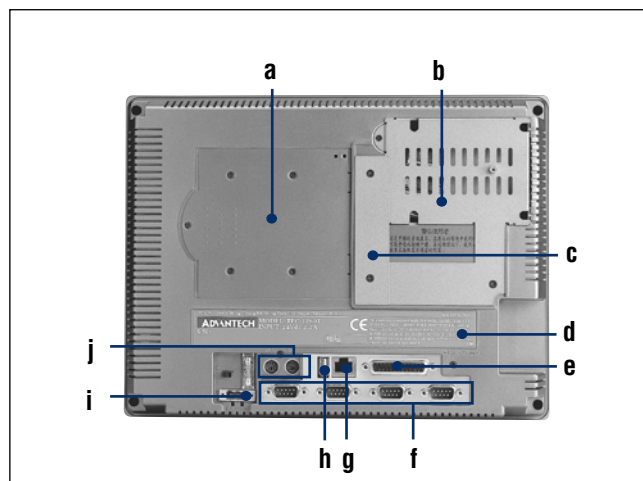
Dimensions

Unit: mm



Cut-out Dimension: 302 x 228 mm

Rear View



- | | |
|-----------------------|------------------|
| a. CPU card cover | f. Serial ports |
| b. 2.5" HDD | g. Ethernet port |
| c. PCI-104 slot | h. USB port |
| d. CompactFlash® slot | i. Power switch |
| e. Parallel port | j. PS/2 ports |

Optional Fieldbus PCI-104 Expansion Card

- Supports CANopen, DeviceNet™ or PROFIBUS™ by request

1	Software
2	IPPC
3	TPC
4	FPM
5	ATM & AWS
6	DA&C
7	cPCI
8	ADAM-3000
9	Motion Control
10	ICOM
11	eConnectivity
12	UNO
13	ADAM-4000
14	ADAM-5000
15	ADAM-6000
16	ADAM-8000
17	BAS